

# VERDANT JC 50

## C-Band Blade Antenna

JC 50 is a C-Band antenna used with telemetry systems. The antenna has excellent omnidirectional pattern over the entire band. The radiating element is encased in a single piece glass fiber reinforced epoxy shell. The antenna is designed as light weight, low profile, low drag stub antennas ideally suited for high performance supersonic aircraft.



SPECIFICATIONS

**ELECTRICAL**

Frequency Range	4400 MHz - 5150 MHz
VSWR	2.0:1 (Max)
Polarization	Vertical
Radiation Pattern	Omnidirectional in azimuth
Impedance RF	50 Ω
Static Protection	DC Grounded
Power RF	20W

**MECHANICAL**

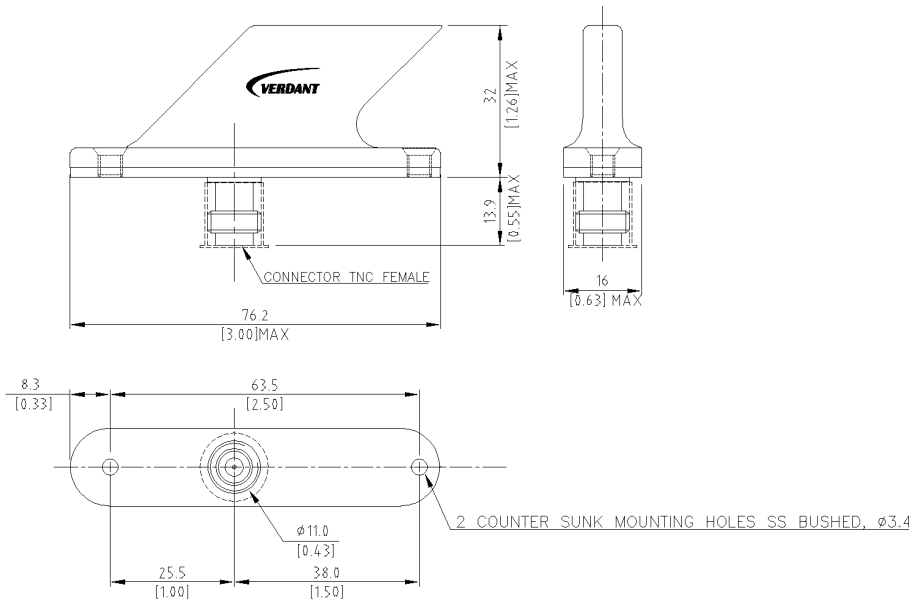
Weight	45 grams (Max)
Height	32 mm (Max) (Without Connector)
Material	Glass Epoxy
Finish	Gloss
Connector	TNC

**ENVIRONMENTAL**

Temperature	-55°C to +90°C
Altitude	60,000 feet

\*Contact us for your customized requirements

Tests in accordance with MIL 810 G



Dimensions are in mm  
Inches shown in bracket

1218 Rev.02



VERDANT TELEMETRY & ANTENNA SYSTEMS Pvt. Ltd.  
COCHIN – 682013, INDIA.  
Tel: +91-484-2663104 Fax: +91-484-2663576  
e-mail: sales@verdanttelemetry.com  
Website : www.verdanttelemetry.com

\*All data contained herein is subject to change without notice

