

# VERDANT JD 305 N5A

## V/UHF Top Loaded Blade Antenna

JD 305 N5A is a top loaded broadband (VHF/UHF) antenna with a wider base, designed to be used with RF Communication Systems. It is configured as a high power, low profile blade antenna ideally suitable for propeller aircrafts and helicopters. The fiber reinforced epoxy antenna shell is designed to meet the stringent MIL requirements.



SPECIFICATIONS

**ELECTRICAL**

Frequency Range	30 MHz - 1250 MHz
VSWR	3:1 (30 MHz - 100 MHz) 2.5:1 (100 MHz - 1250 MHz)
Polarization	Vertical
Radiation Pattern	Omnidirectional in azimuth
Impedance RF	50 Ω
Static Protection	DC Grounded
Power RF	1000 W Peak

**MECHANICAL**

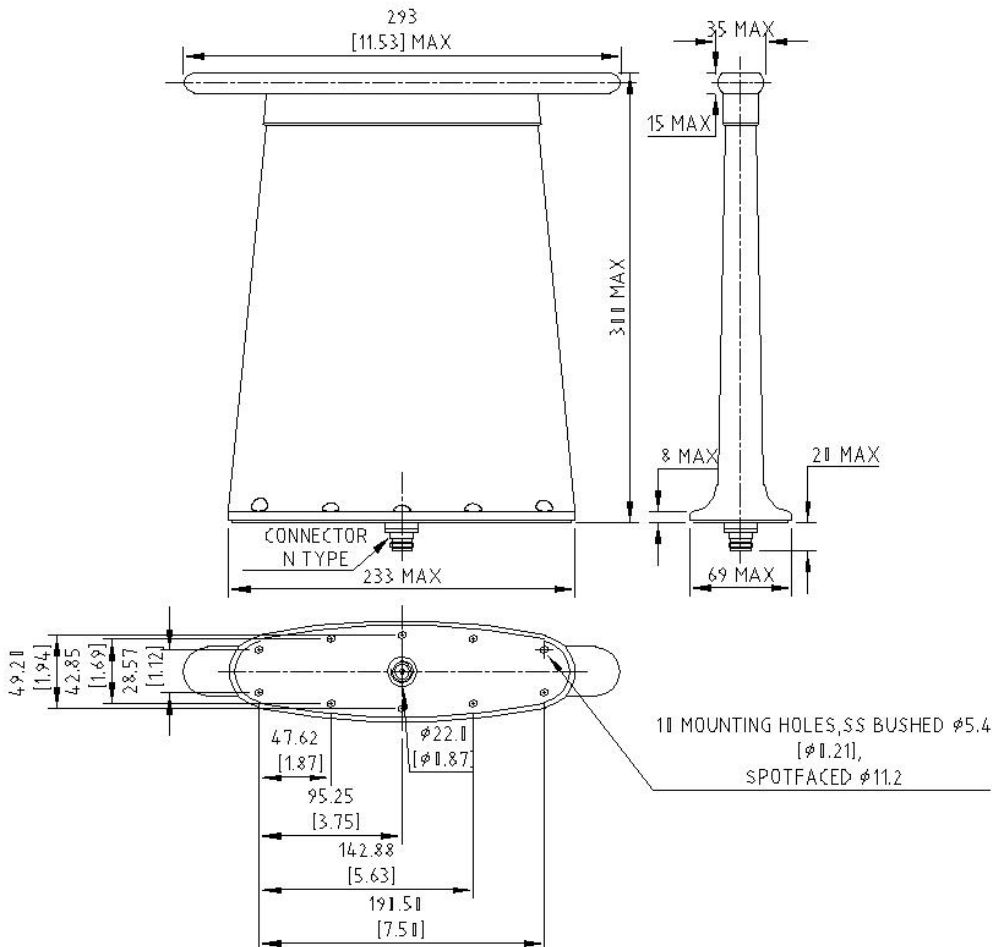
Weight	1600 grams (Max)
Height	300 mm (Max)
Material	Glass Epoxy
Finish	Gloss
Connector	N Type

**ENVIRONMENTAL**

Temperature	-55°C to +90°C
Altitude	50,000 feet

\*Contact us for your customized requirements

Tests in accordance with MIL 810 F



Dimensions are in mm  
Inches shown in bracket

\*All data contained herein is subject to change without notice

0413 Rev 00



VERDANT TELEMETRY & ANTENNA SYSTEMS Pvt. Ltd.  
COCHIN – 682013, INDIA.  
Tel: +91-484-2663104 Fax: +91-484-2663576  
e-mail: sales@verdanttelemetry.com  
Website : www.verdanttelemetry.com

