



VERDANT JD 322 T

V/UHF Top Loaded Blade Antenna

JD 322 T is a broadband (V/UHF) low profile blade antenna from the 322 series, designed to be used with multi-function communication systems. This straight blade antenna has a wide base and is designed as a low profile, low drag blade suited for subsonic aircrafts, fixed wing aircrafts, helicopters as well as for vehicle mount application. The fibre reinforced epoxy antenna shell is designed to meet stringent MIL requirements.

SPECIFICATIONS

ELECTRICAL

Frequency Range	20 MHz -1250 MHz
VSWR	3.5:1 (Max)
Polarization	Vertical
Radiation Pattern	Omni-directional in azimuth with ±3 dB ripple Avg
Impedance	50 Ohms Nominal
Power RF	10 W CW, 1 KW Momentary

MECHANICAL

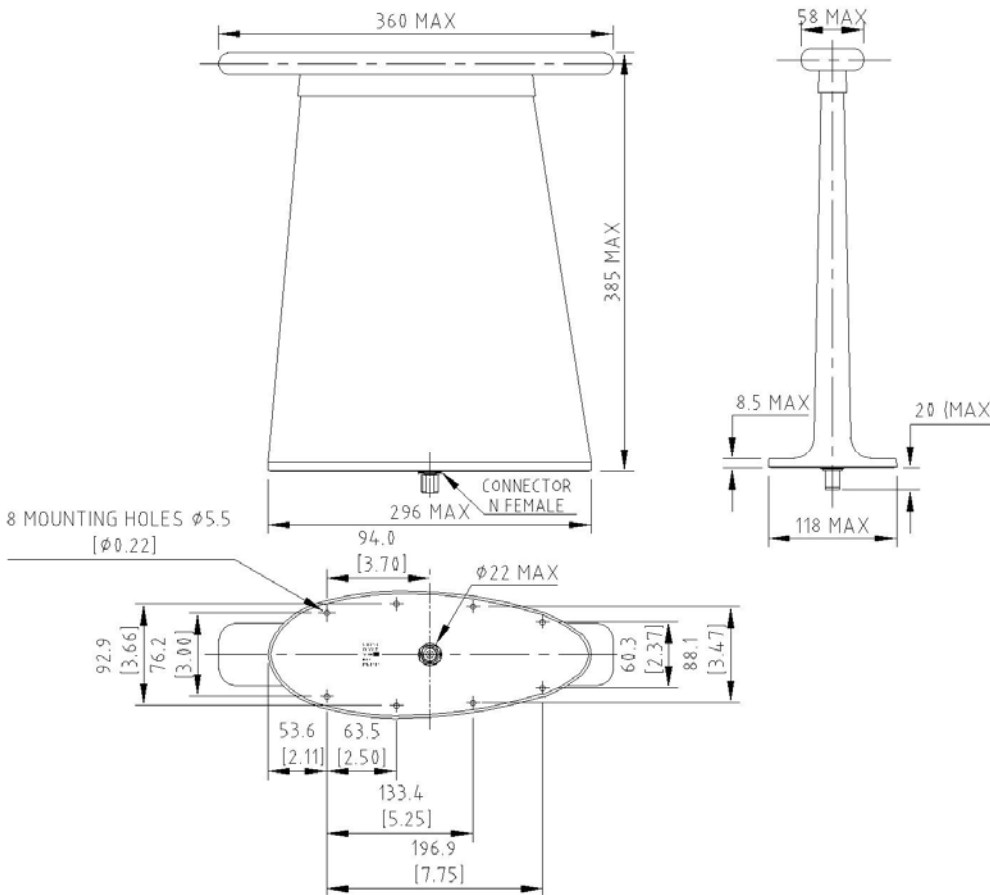
Weight	2100 grams (Max)
Height	385 mm (Max)
Material	Reinforced Glass Epoxy
Finish	Gloss White
Connector	N Female

ENVIRONMENTAL

Temperature	-55°C to +90°C
Altitude	60,000 feet

*Contact us for your customized requirements

Tests in accordance with MIL 810 F



Dimensions are in mm
Inches shown in bracket

0413 Rev 00

*All data contained herein is subject to change without notice



VERDANT TELEMETRY & ANTENNA SYSTEMS Pvt. Ltd.
COCHIN – 682013, INDIA.
Tel: +91-484-2663104 Fax: +91-484-2663576
e-mail: sales@verdanttelemetry.com
Website : www.verdanttelemetry.com

