



VERDANT JD 401 S1G-A

V/UHF Dipole Blade Antenna

JD 401 S1G-A is a broadband (VHF/UHF) low profile blade antenna to be used with communication systems. The antenna is designed to provide optimum performance in the 30-512 MHz frequency band. These low profiles, low drag blade antennas are ideally suited for helicopter, fixed wing aircrafts and UAV. The fibre reinforced epoxy antenna shell is designed to meet stringent MIL requirements.

SPECIFICATIONS

ELECTRICAL

Frequency Range	30 MHz - 512 MHz
VSWR	3.5:1 (Max)
Polarization	Vertical
Radiation Pattern	Omnidirectional in azimuth
Impedance RF	50 Ω
Static Protection	DC Grounded
Power RF	25 W

MECHANICAL

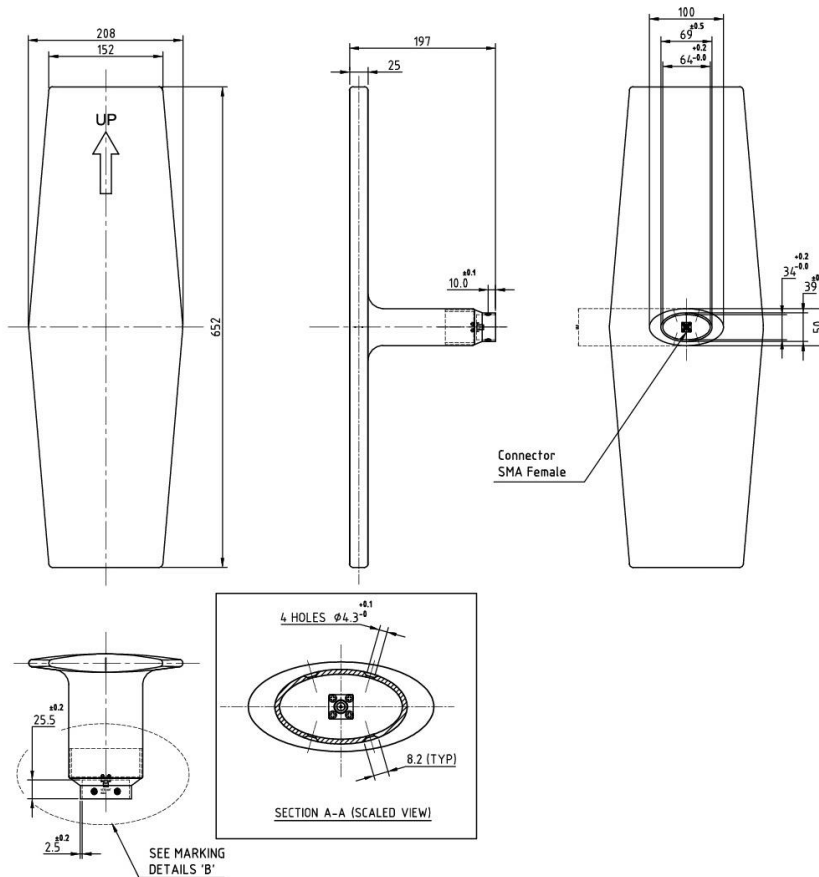
Weight	1475 grams (Max)
Height	198 mm (Max)
Material	Glass Epoxy
Finish	Grey Satin / Semi-gloss
Connector	SMA Female

ENVIRONMENTAL

Temperature	-54°C to +71°C
Altitude	50,000 feet

*Contact us for your customized requirements

Tests in accordance with MIL 810 F/G



Dimensions are in mm
Inches shown in bracket

1218 Rev 01

*All data contained herein is subject to change without notice



VERDANT TELEMETRY & ANTENNA SYSTEMS Pvt. Ltd.
COCHIN – 682013, INDIA.
Tel: +91-484-2663104 Fax: +91-484-2663576
e-mail: sales@verdanttelemetry.com
Website : www.verdanttelemetry.com

