

VERDANT JD 470 T3B

V/UHF Top Loaded Blade Antenna

JD 470 T3B is a top loaded wide band (VHF/UHF) blade antenna designed to be used with RF communication systems. These antennae are designed as low drag blade antenna ideally suited for UAV/ helicopter/ fixed wing aircrafts. The fibre reinforced epoxy antenna shell is designed to meet the stringent MIL requirements.



SPECIFICATIONS

ELECTRICAL

Frequency Range	30 MHz - 450 MHz
VSWR	3.0:1 Max (30 MHz - 100 MHz) 2.5:1 Max (100 MHz - 450 MHz)
Polarization	Vertical
Radiation Pattern	Omnidirectional in azimuth
Impedance RF	50 Ω (Nominal)
Static Protection	DC Grounded
Power RF	120 W C.W

MECHANICAL

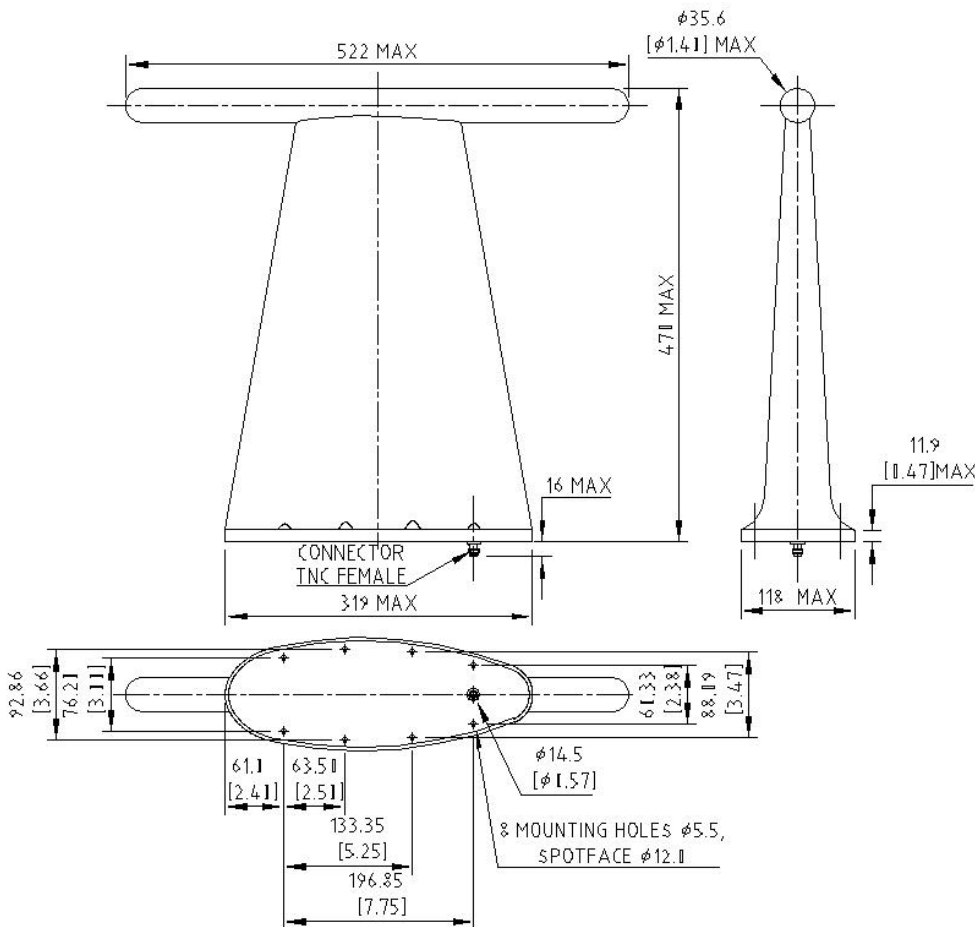
Weight	3300 grams (Max)
Height	470 mm (Max)
Material	Glass Epoxy
Finish	Gloss
Connector	TNC Female

ENVIRONMENTAL

Temperature	-57°C to +85°C
Altitude	50,000 feet

*Contact us for your customized requirements

Tests in accordance with MIL 810 F



Dimensions are in mm
Inches shown in bracket

0413 Rev 00

*All data contained herein is subject to change without notice



VERDANT TELEMETRY & ANTENNA SYSTEMS Pvt. Ltd.
COCHIN – 682013, INDIA.
Tel: +91-484-2663104 Fax: +91-484-2663576
e-mail: sales@verdanttelemetry.com
Website : www.verdanttelemetry.com

