

# VERDANT JH 2Y

## VHF Stub Antenna

JH 2Y is a VHF broadband antenna designed to be used in pairs as part of tactical homing system or as single unit for communication. These antennas are designed as low profile, low drag blade antennas with excellent aerodynamic properties ideally suited for high performance military aircrafts. The radiating element is encased in a single piece glass fibre reinforced epoxy shell. This antenna is qualified and suitable for helicopters and subsonic aircrafts.



SPECIFICATIONS

**ELECTRICAL**

Frequency Range	116 MHz - 175 MHz
VSWR	3:1 (Max)
Polarization	Vertical (When Mounted Vertically)
Radiation Pattern	Omnidirectional in azimuth
Impedance RF	50 Ω
Static Protection	DC Grounded
Power RF	35 W

**MECHANICAL**

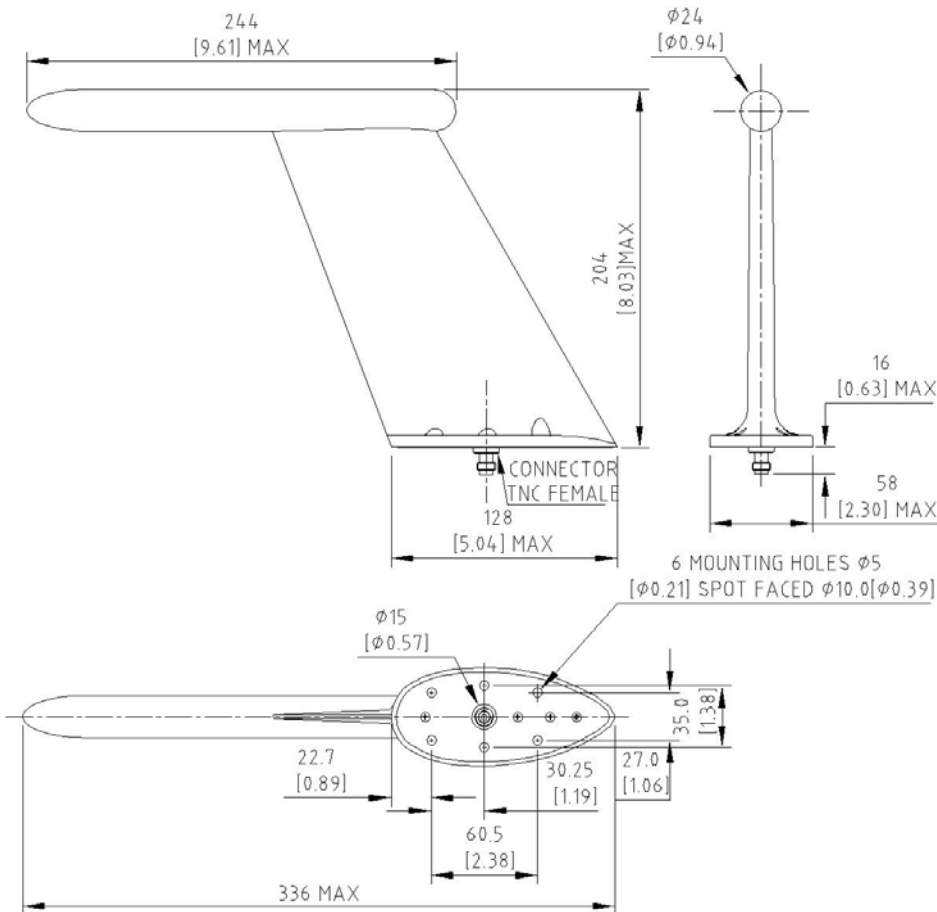
Weight	500 grams (Max)
Height	204 mm (Max)
Material	Glass Epoxy
Finish	Gloss
Connector	TNC

**ENVIRONMENTAL**

Temperature	-55°C to +90°C
Altitude	50,000 feet

\*Contact us for your customized requirements

Tests in accordance with MIL 810 F



Dimensions are in mm  
Inches shown in bracket

0413 Rev 00

\*All data contained herein is subject to change without notice



VERDANT TELEMETRY & ANTENNA SYSTEMS Pvt. Ltd.  
COCHIN – 682013, INDIA.  
Tel: +91-484-2663104 Fax: +91-484-2663576  
e-mail: sales@verdanttelemetry.com  
Website : www.verdanttelemetry.com

