



VERDANT JH 2Y-1

VHF Stub Antenna

JH 2Y-1 is a VHF broadband antenna designed to be used with Automatic Identification Systems (AIS). These antennas are designed as low profile, low drag blade antennas with excellent aerodynamic properties ideally suited for high performance military aircrafts. The radiating element is encased in a single piece glass fibre reinforced epoxy shell. This antenna is qualified and suitable for helicopters and subsonic aircrafts.

SPECIFICATIONS

ELECTRICAL

Frequency Range	160 MHz - 165 MHz
VSWR	2.0:1 (Nom.)
Polarization	Vertical
Radiation Pattern	Omni-directional in azimuth
Impedance RF	50 Ω
Static Protection	DC Grounded
Power RF	35 W CW

MECHANICAL

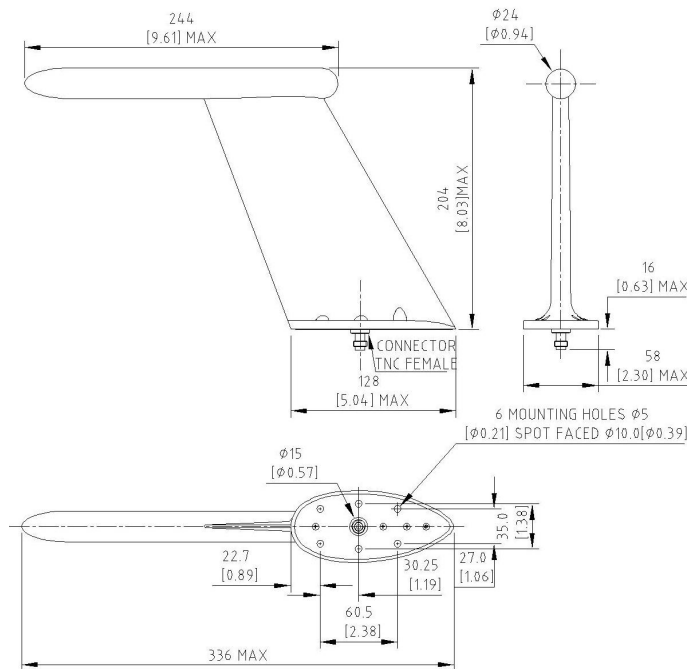
Weight	420 ± 30 grams
Height	204 mm (Max)
Material	Glass Epoxy
Finish	Gloss
Connector	N Type Female

ENVIRONMENTAL

Temperature	-55°C to +90°C
Altitude	60,000 feet

Tests in accordance with MIL 810 F

*Contact us for your customized requirements



Dimensions are in mm
Inches shown in bracket

0618 Rev 01



VERDANT TELEMETRY & ANTENNA SYSTEMS Pvt. Ltd.
COCHIN – 682013, INDIA.
Tel: +91-484-2663104 Fax: +91-484-2663576
e-mail: sales@verdanttelemetry.com
Website : www.verdanttelemetry.com

*All data contained herein is subject to change without notice

