

VERDANT JL 06

L-Band Antenna

JL 06 is an L - band antenna designed to be used with IFF/TACAN system. The design ensures excellent omnidirectional pattern over the entire band. The radiating element is encased in a single piece glass fibre reinforced epoxy radome. These antennas are low profile, ideally suited for helicopters and supersonic aircrafts.



SPECIFICATIONS

ELECTRICAL

Frequency Range	950 MHz - 1250 MHz
VSWR	1.7:1 [950 MHz - 1250 MHz] 1.2:1 [1025 MHz - 1095 MHz]
Polarization	Vertical
Radiation Pattern	Omnidirectional in azimuth
Impedance RF	50 Ω Nominal
Static Protection	DC Grounded
Test Probe Isolation	- 18 dB at 1090 MHz Nominal
Power RF	1 Kw Peak

MECHANICAL

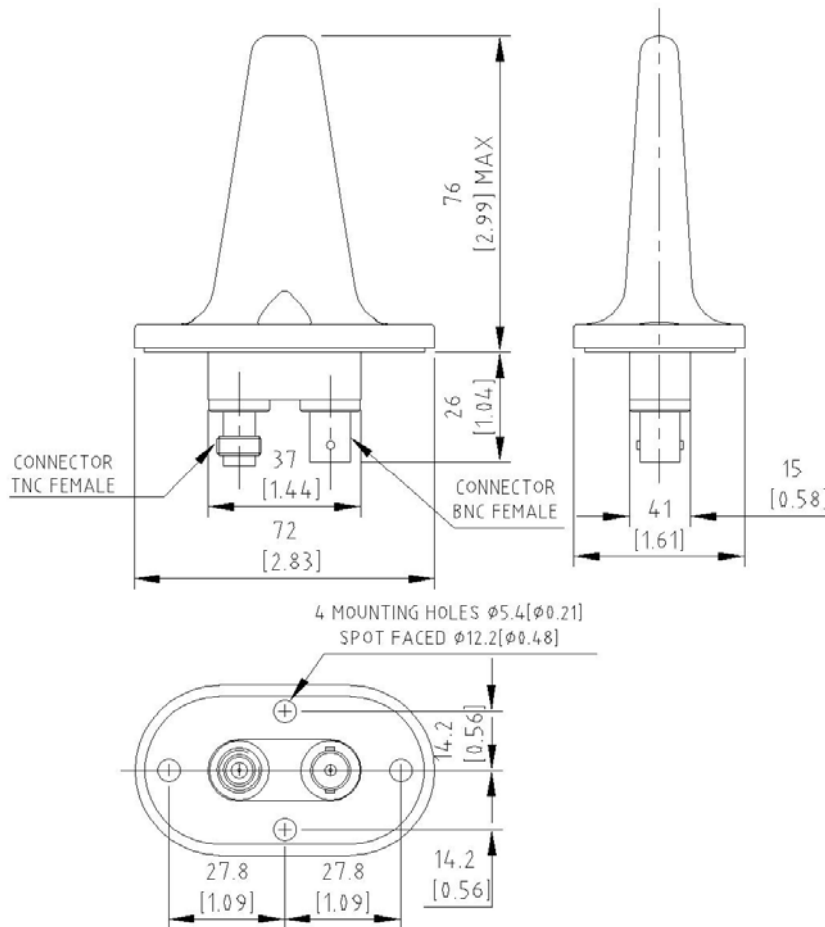
Weight	90 gram (Max)
Height	76 mm (Max)
Material	Glass Epoxy
Finish	Gloss
Connector	TNC (Standard for Aerial Feed) BNC (For optional Test Probe)

ENVIRONMENTAL

Temperature	-55°C to +90°C
Altitude	60,000 feet

*Contact us for your customized requirements

Tests in accordance with MIL 810 F



Dimensions are in mm
Inches shown in bracket

0413 Rev 00

*All data contained herein is subject to change without notice



VERDANT TELEMETRY & ANTENNA SYSTEMS Pvt. Ltd.
COCHIN – 682013, INDIA.
Tel: +91-484-2663104 Fax: +91-484-2663576
e-mail: sales@verdanttelemetry.com
Website : www.verdanttelemetry.com

