

VERDANT JL 02 I-2

L-Band Blade Antenna

JL 02 I-2 is a monopole antenna designed to be used with TACAN/ IFF system. The design ensures excellent omni-directional pattern over the entire band. The radiating element is encased in a single piece glass fibre reinforced epoxy shell. These antennas are low profile, low drag stub antennas designed to withstand severe environmental conditions ideally suited for high performance supersonic aircrafts.



SPECIFICATIONS

ELECTRICAL

Frequency Range	950 MHz – 1260 MHz
VSWR	≤ 1.5:1 [950 MHz -1260 MHz]
Polarization	Vertical
Radiation Pattern	Omni-directional in azimuth
Impedance RF	50 ohms Nominal
Static Protection	DC Grounded
Power RF	250 W CW, 4 Kw Peak

MECHANICAL

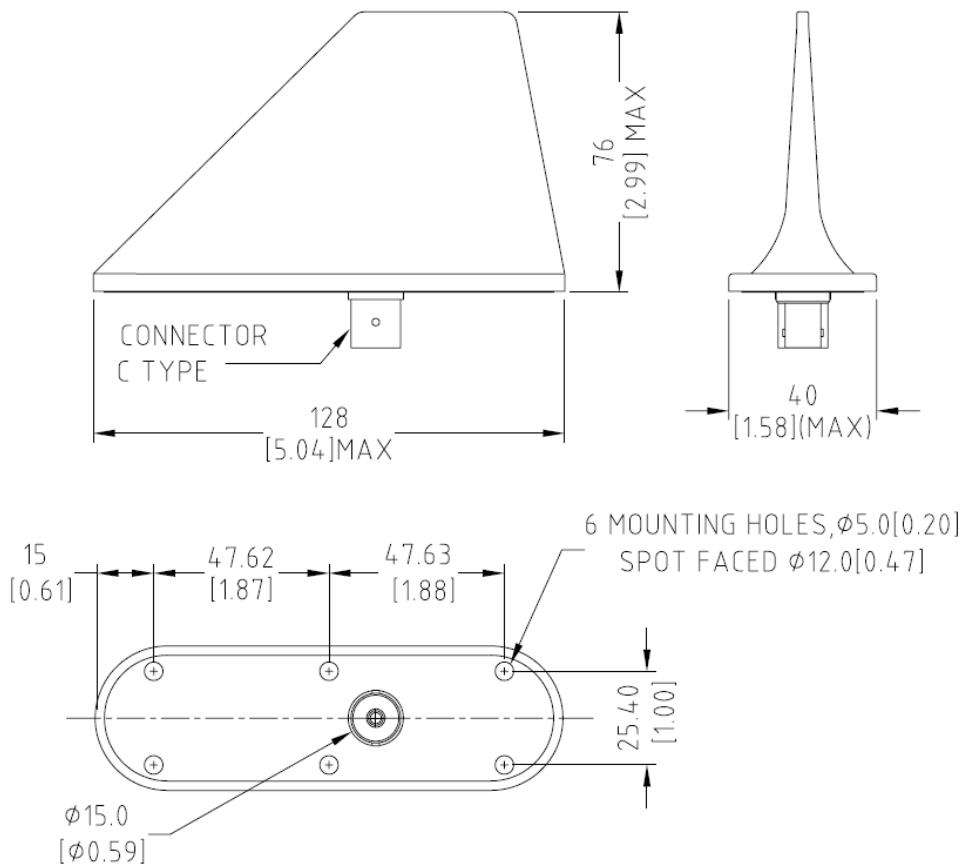
Weight	115 grams (Max)
Height	76 mm (Max)
Material	Glass Epoxy
Finish	Matt Black/ Gloss White
Connector	C- Type

ENVIRONMENTAL

Temperature	-54°C to +90°C
Altitude	60,000 feet

*Contact us for your customized requirements

Tests in accordance with MIL 810 F



Dimensions are in mm
Inches shown in bracket

0119 Rev 01

*All data contained herein is subject to change without notice



VERDANT TELEMETRY & ANTENNA SYSTEMS Pvt. Ltd.
COCHIN – 682013, INDIA.
Tel: +91-484-2663104 Fax: +91-484-2663576
e-mail: sales@verdanttelemetry.com
Website : www.verdanttelemetry.com

