

VERDANT JL 18 T1AZ

L-Band Active GPS Antenna

JL18 T1AZ is a single-band L1 Active GPS antenna providing coverage at 1575.42 MHz. This high gain active antenna offers enhanced electrical performance over similar antennas. The vacuum moulded composite radome provides enhanced protection to the antenna and amplifier elements against the environmental severities. This antenna is ideally suited for supersonic military aircrafts.



SPECIFICATIONS

ELECTRICAL

Frequency Range	1575.42 MHz
VSWR	≤ 1.5:1
Polarization	RHCP
Reception	Hemispherical Omnidirectional
Pre Amplifier Gain	40 dB
Impedance	50 Ohms Nominal
Static Protection	DC Grounded
Power Handling	1 W
Noise Figure	2.8 dB Max
Voltage	+4 to 24 VDC

*Contact us for your customized requirements

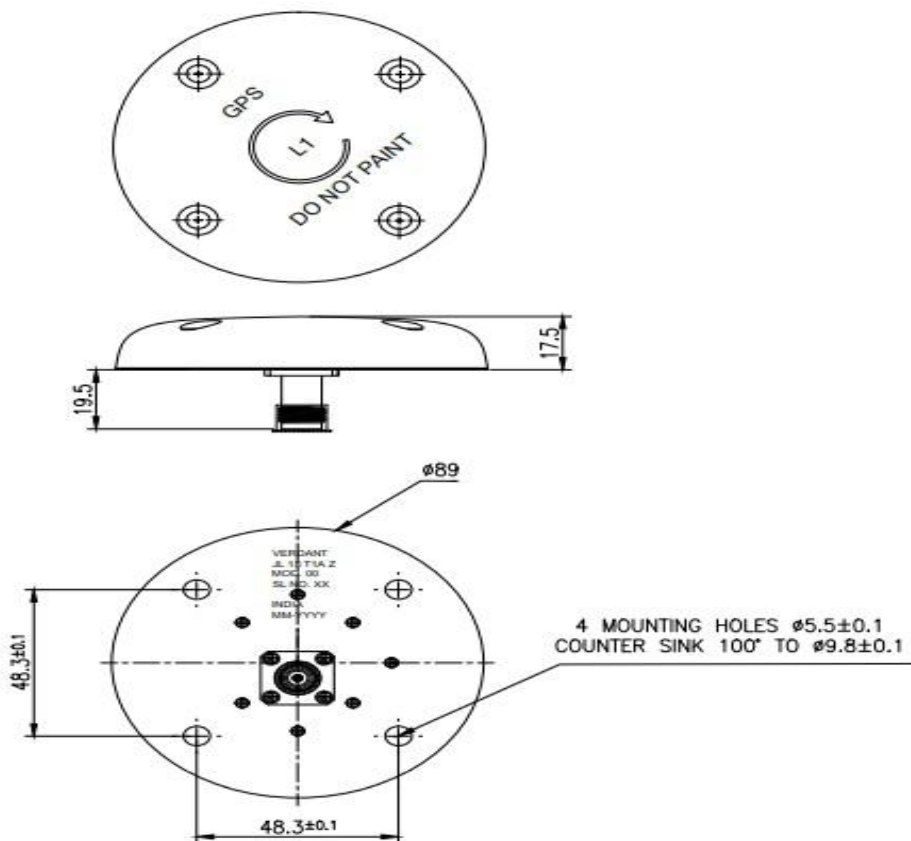
MECHANICAL

Weight	150 grams (Max)
Height x	18 mm (Max) (Without Connector)
Diameter	ø 90 (Max)
Material	Reinforced Glass Epoxy
Finish	PU White Gloss
Connector	TNC

ENVIRONMENTAL

Operating Temperature	-54°C to +85°C
Altitude	23,000 feet

Tests in accordance with MIL 810 F



Dimensions are in mm

0818 Rev 00



VERDANT TELEMETRY & ANTENNA SYSTEMS Pvt. Ltd.
 COCHIN – 682013, INDIA.
 Tel: +91-484-2663104 Fax: +91-484-2663576
 e-mail: sales@verdanttelemetry.com
 Website : www.verdanttelemetry.com

*All data contained herein is subject to change without notice

