

VERDANT JS 50

S-Band Blade Antenna

JS 50 is an S - band antenna used with telemetry systems. The antenna has excellent omnidirectional pattern over the entire band. The radiating element is encased in a single piece glass fibre reinforced epoxy shell. The antenna is designed as light weight, low profile, low drag stub antennas ideally suited for high performance supersonic aircraft.



SPECIFICATIONS

ELECTRICAL

Frequency Range	2150 MHz - 2500 MHz
VSWR	2:1 (Max)
Polarization	Vertical
Radiation Pattern	Omnidirectional in azimuth
Impedance RF	50 Ω
Static Protection	DC Grounded
Power RF	20 W

MECHANICAL

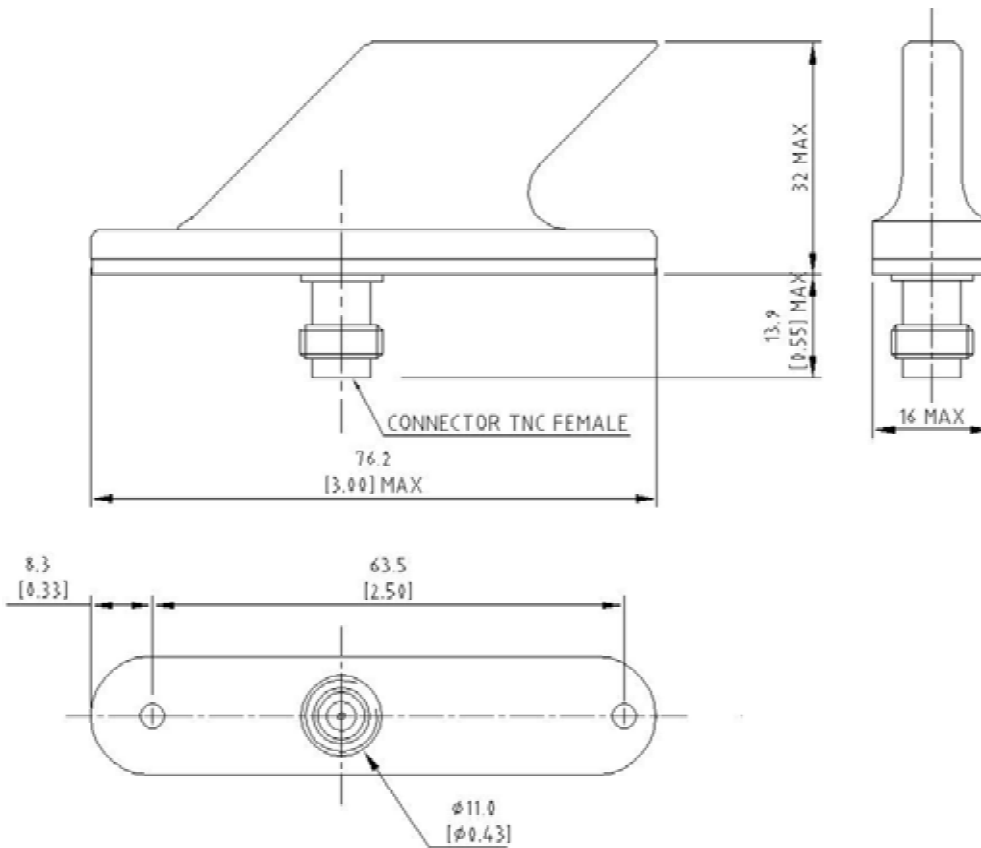
Weight	45 grams (Max)
Height	32 mm (Max)
Material	Glass Epoxy
Finish	Gloss
Connector	TNC

ENVIRONMENTAL

Temperature	-55°C to +90°C
Altitude	60,000 feet

*Contact us for your customized requirements

Tests in accordance with MIL 810 D



Dimensions are in mm
Inches shown in bracket

0413 Rev 00

*All data contained herein is subject to change without notice



VERDANT TELEMETRY & ANTENNA SYSTEMS Pvt. Ltd.
COCHIN – 682013, INDIA.
Tel: +91-484-2663104 Fax: +91-484-2663576
e-mail: sales@verdanttelemetry.com
Website : www.verdanttelemetry.com

