

VERDANT JU 802-1

UHF Blade Antenna

JU 802-1 is a UHF broadband antenna designed to be used for communication and navigation. These antennas are designed as low profile, low drag blade antennas with excellent aerodynamic properties. The radiating element is encased in a single piece glass fibre reinforced epoxy radome. This antenna is suitable for subsonic aircrafts, helicopters, as well as UAV. These antennas are qualified for extremely low temperatures up to -70°C



SPECIFICATIONS

ELECTRICAL

| | |
|-------------------|----------------------------|
| Frequency Range | 420 MHz - 470 MHz |
| VSWR | 2.0:1 (Max) |
| Polarization | Vertical |
| Radiation Pattern | Omnidirectional in azimuth |
| Impedance RF | 50 Ω |
| Static Protection | DC Grounded |
| Power RF | 80 W CW |

MECHANICAL

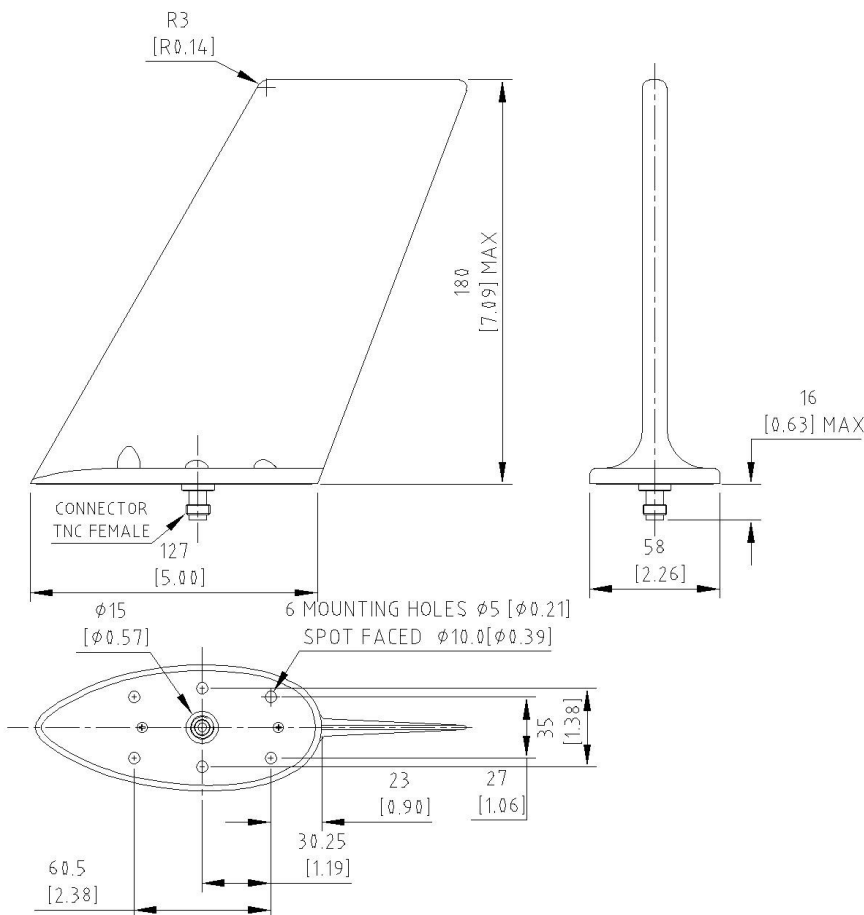
| | |
|-----------|-----------------|
| Weight | 320 grams (Max) |
| Height | 180 mm (Max) |
| Material | Glass Epoxy |
| Finish | Gloss White |
| Connector | TNC Female |

ENVIRONMENTAL

| | |
|-------------|------------------|
| Temperature | -70 °C to +90 °C |
| Altitude | 60,000 feet |

*Contact us for your customized requirements

Tests in accordance with MIL 810 F



Dimensions are in mm
Inches shown in bracket

1014 Rev 01

*All data contained herein is subject to change without notice



VERDANT TELEMETRY & ANTENNA SYSTEMS Pvt. Ltd.
COCHIN – 682013, INDIA.
Tel: +91-484-2663104 Fax: +91-484-2663576
e-mail: sales@verdanttelemetry.com
Website : www.verdanttelemetry.com

