



VERDANT JU 802

UHF Blade Antenna

JU 802 is a UHF broadband antenna designed to be used for communication and navigation. These antennas are designed as low profile, low drag blade antennas with excellent aerodynamic properties. The radiating element is encased in a single piece glass fibre reinforced epoxy radome. This antenna is suitable for subsonic aircrafts, helicopters, as well as UAV.

SPECIFICATIONS

ELECTRICAL

Frequency Range	450 MHz - 550 MHz
VSWR	2.5:1 (Max)
Polarization	Vertical
Radiation Pattern	Omnidirectional in azimuth
Impedance RF	50 Ω
Static Protection	DC Grounded
Power RF	50 W

MECHANICAL

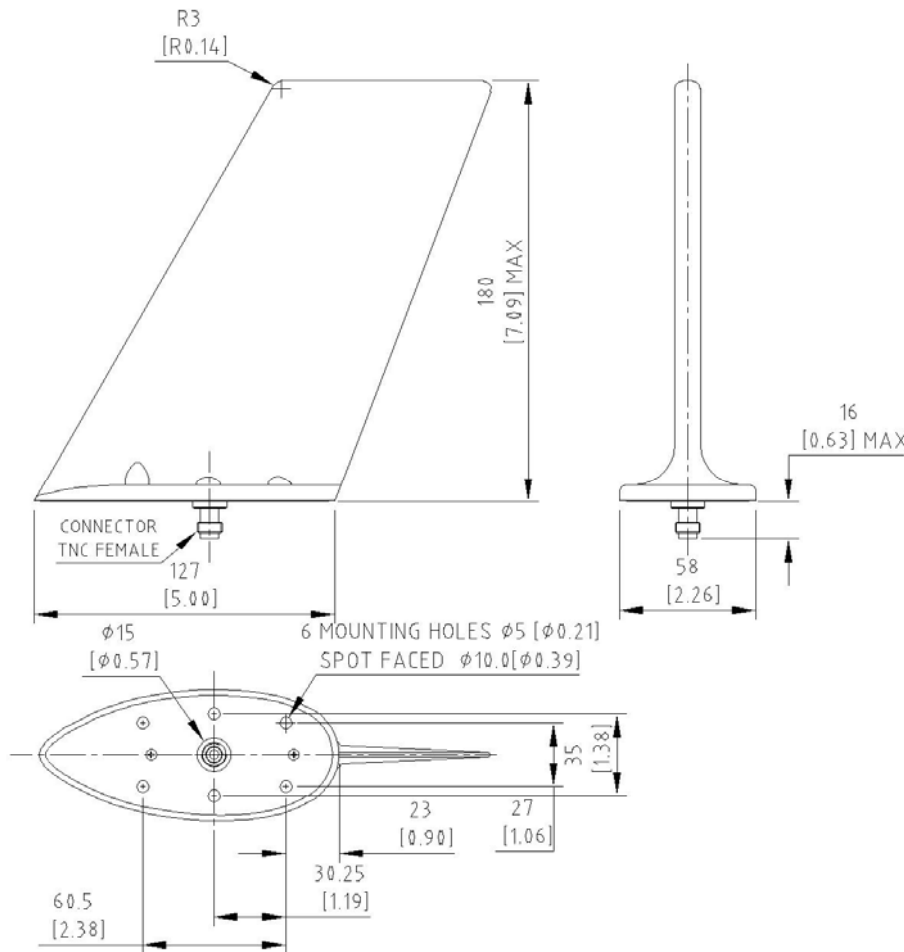
Weight	365 grams (Max)
Height	180 mm (Max)
Material	Glass Epoxy
Finish	Gloss
Connector	TNC

ENVIRONMENTAL

Temperature	-55°C to +90°C
Altitude	60,000 feet

*Contact us for your customized requirements

Tests in accordance with MIL 810 F



Dimensions are in mm
Inches shown in bracket

0413 Rev 00

*All data contained herein is subject to change without notice



VERDANT TELEMETRY & ANTENNA SYSTEMS Pvt. Ltd.
COCHIN – 682013, INDIA.
Tel: +91-484-2663104 Fax: +91-484-2663576
e-mail: sales@verdanttelemetry.com
Website : www.verdanttelemetry.com

