

VERDANT JL 50 B

L-Band Blade Antenna

JL 50 B is a L - band low profile light weight blade antenna designed for Helicopters and UAV's. The antenna has excellent Omnidirectional pattern over the entire band. The radiating element is encased in a single piece glass fiber reinforced epoxy shell. The antenna is a variant of L band blade VERDANT JL 50.



SPECIFICATIONS

ELECTRICAL

Frequency Range	1430 MHz – 1540 MHz
VSWR	2:1 (max)
Polarization	Vertical
Radiation Pattern	Omnidirectional in azimuth
Impedance RF	50 Ω
Static Protection	DC Grounded
Power RF	20 W

MECHANICAL

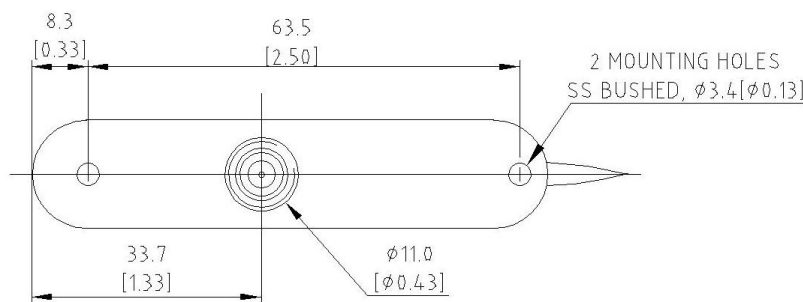
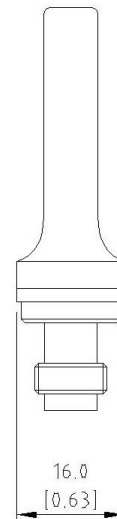
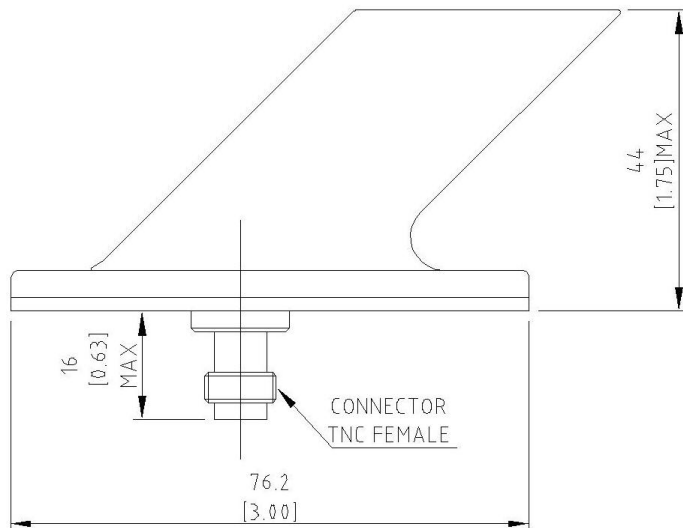
Weight	40 grams (Max)
Height	44 mm(Max)
Material	Glass Epoxy
Finish	Gloss
Connector	TNC

ENVIRONMENTAL

Temperature	-55°C to +85°C
Altitude	40,000 feet

*Contact us for your customized requirements

Tests in accordance with MIL 810 D



Dimensions are in mm
Inches shown in bracket

0618 Rev 01



VERDANT TELEMETRY & ANTENNA SYSTEMS Pvt. Ltd.
COCHIN – 682013, INDIA.
Tel: +91-484-2663104 Fax: +91-484-2663576
e-mail: sales@verdanttelemetry.com
Website : www.verdanttelemetry.com

*All data contained herein is subject to change without notice

