



VERDANT JD 370

V/UHF Blade Antenna

JD 370 is a broadband (V/UHF) low profile blade antenna from the 370 series, designed to be used with multi function communication systems. This antenna is designed as low profile, low drag blade suited for supersonic aircrafts, fixed wing aircrafts and helicopters. The single piece continuous fibre reinforced epoxy shell is designed to meet the stringent MIL requirements of high performance supersonic aircrafts.

SPECIFICATIONS

ELECTRICAL

Frequency Range	100 MHz -400 MHz
VSWR	3.0:1 (Typ) 3.5:1 (Max)
Polarization	Vertical
Radiation Pattern	Omnidirectional in azimuth
Impedance RF	50 Ohms Nominal
Static Protection	DC Grounded
Power RF	40 W

MECHANICAL

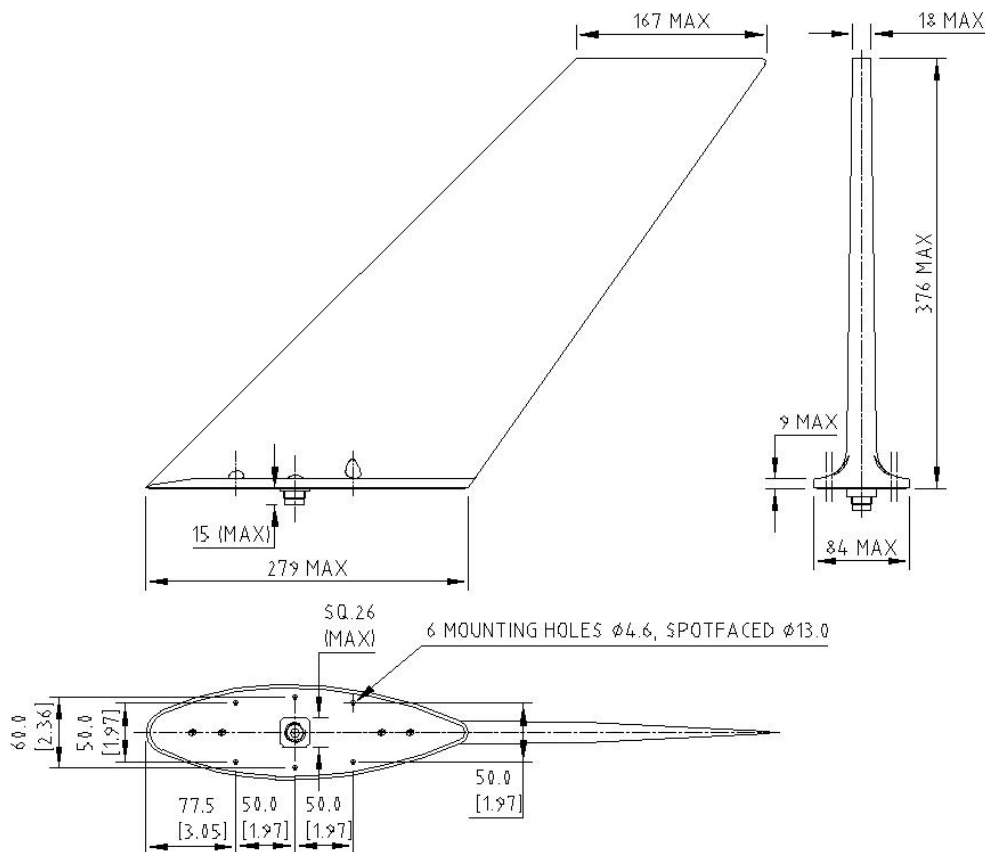
Weight	1300 grams (Max)
Height	376 mm (Max)
Material	Reinforced Glass Epoxy
Finish	Satin Black
Connector	CP-50-165FV Female or N Type

ENVIRONMENTAL

Temperature	-54°C to +90°C
Altitude	60,000 feet

**Contact us for your customized requirements*

Tests in accordance with MIL 810 F



Dimensions are in mm
Inches shown in bracket

0413 Rev 00



VERDANT TELEMETRY & ANTENNA SYSTEMS Pvt. Ltd.
COCHIN – 682013, INDIA.
Tel: +91-484-2663104 Fax: +91-484-2663576
e-mail: sales@verdanttelemetry.com
Website : www.verdanttelemetry.com

**All data contained herein is subject to change without notice*

