

VERDANT JD 120 T1B

V/UHF Top Loaded Blade Antenna

JD 120 T1B is a top loaded wideband (VHF/UHF) blade antenna to be used with RF communication systems. These antennae are designed as low profile, low drag blade antennae ideally suited for UAV/helicopter/subsonic jet aircrafts. The fiber reinforced epoxy antenna shell is designed to meet the stringent MIL requirements.



SPECIFICATIONS

ELECTRICAL

Frequency Range	30 MHz - 512 MHz
VSWR	3:1 (30 MHz - 100 MHz) 2.5:1 (100 MHz - 225 MHz) 2:1 (225 MHz - 512 MHz)
Polarization	Vertical
Radiation Pattern	Omnidirectional in azimuth
Impedance RF	50 Ω (Nominal)
Static Protection	DC Grounded
Power RF	50W

MECHANICAL

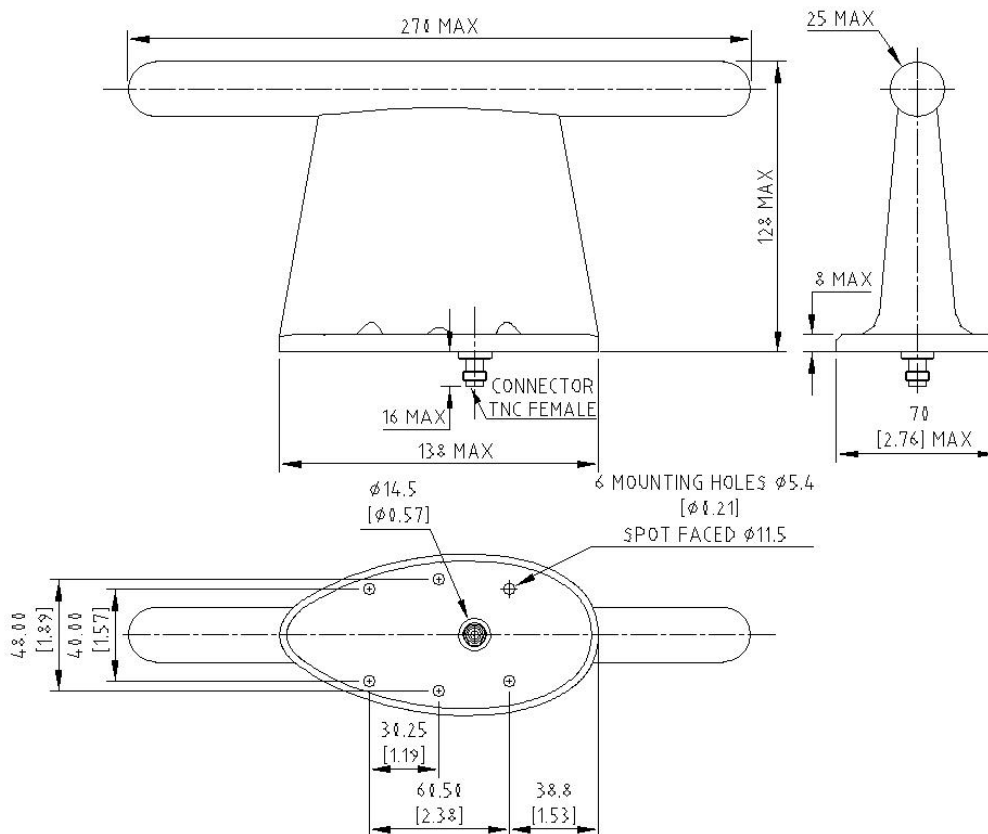
Weight	450 grams (Max)
Height	120 mm (Max)
Material	Glass Epoxy
Finish	Gloss
Connector	TNC Female

ENVIRONMENTAL

Temperature	-55°C to +90°C
Altitude	50,000 feet

*Contact us for your customized requirements

Tests in accordance with MIL 810 F



Dimensions are in mm
Inches shown in bracket

0413 Rev 00

*All data contained herein is subject to change without notice



VERDANT TELEMETRY & ANTENNA SYSTEMS Pvt. Ltd.
COCHIN - 682013, INDIA.
Tel: +91-484-2663104 Fax: +91-484-2663576
e-mail: sales@verdanttelemetry.com
Website : www.verdanttelemetry.com

