



VERDANT JH 10V

VHF Blade Antenna

JH 10V is a VHF broadband antenna designed to be used in tactical homing system in pairs or as single unit for communication. The radiating element is encased in a single piece glass fibre reinforced epoxy shell. The rugged design and construction of the antenna helps to withstand severe environmental conditions. This antenna is qualified and suitable for helicopters and subsonic aircrafts.

SPECIFICATIONS

ELECTRICAL

Frequency Range	135 MHz - 175 MHz
VSWR	2.5:1 (Max)
Polarization	Vertical
Radiation Pattern	Omnidirectional in azimuth
Impedance RF	50 Ω
Static Protection	DC Grounded
Power RF	35 W

MECHANICAL

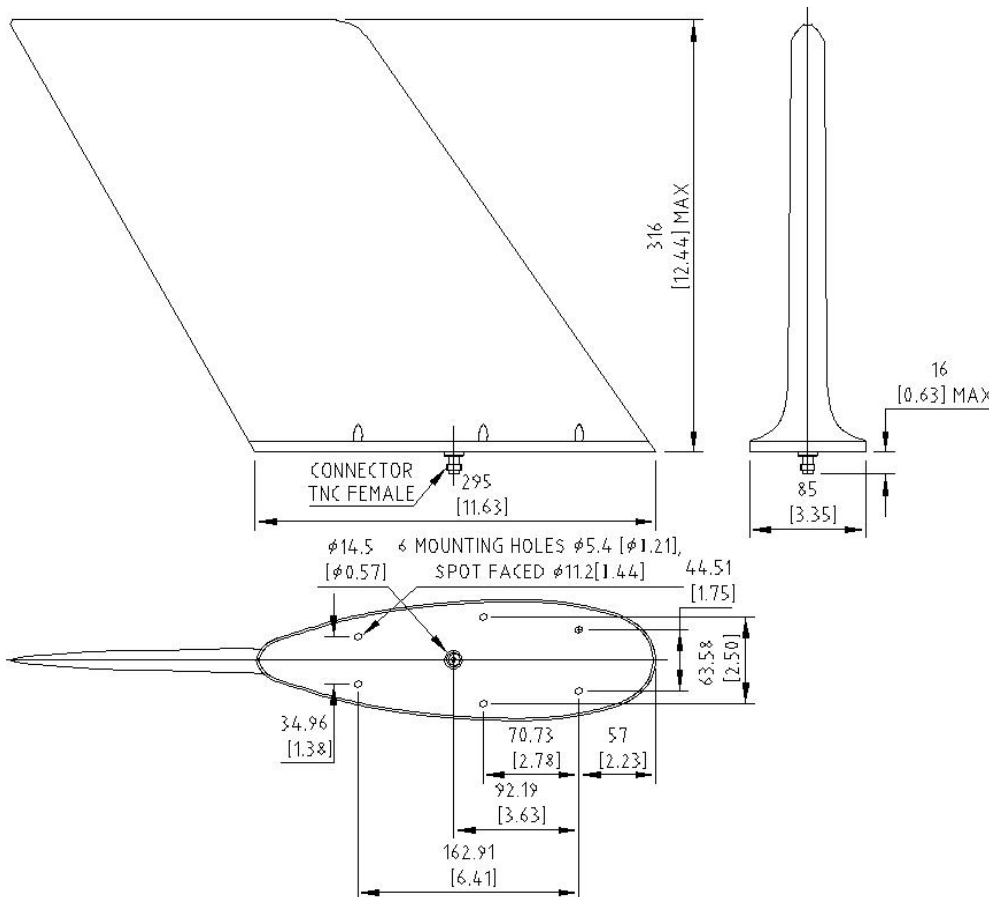
Weight	1750 grams (Max)
Height	316 mm (Max)
Material	Glass Epoxy
Finish	Gloss
Connector	TNC

ENVIRONMENTAL

Temperature	-55°C to +90°C
Altitude	50,000 feet

*Contact us for your customized requirements

Tests in accordance with MIL 810 F



Dimensions are in mm
Inches shown in bracket

0413 Rev 00

*All data contained herein is subject to change without notice



VERDANT TELEMETRY & ANTENNA SYSTEMS Pvt. Ltd.
COCHIN – 682013, INDIA.
Tel: +91-484-2663104 Fax: +91-484-2663576
e-mail: sales@verdanttelemetry.com
Website : www.verdanttelemetry.com

