



VERDANT JH 135

VHF Low Profile Antenna

JH 135 is a low profile, light weight airborne vertical stub antenna designed to operate in a frequency band of 135 MHz to 175 MHz. The antenna was designed to be used on Kamov - 28 type helicopters of Indian Navy. These antennas are designed as low profile, low drag stub antennas with excellent aerodynamic properties. The radiating element encased in glass fibre reinforced epoxy shell capable of withstanding extreme environmental conditions. This antenna is qualified and suitable for helicopters and supersonic aircrafts.

SPECIFICATIONS

ELECTRICAL

Frequency Range	135 MHz - 175 MHz
VSWR	3.5:1
Polarization	Vertical (When mounted vertically)
Radiation Pattern	Omnidirectional in azimuth
Impedance RF	50 ohms Nominal
Static Protection	DC Grounded
Power RF	35 W

MECHANICAL

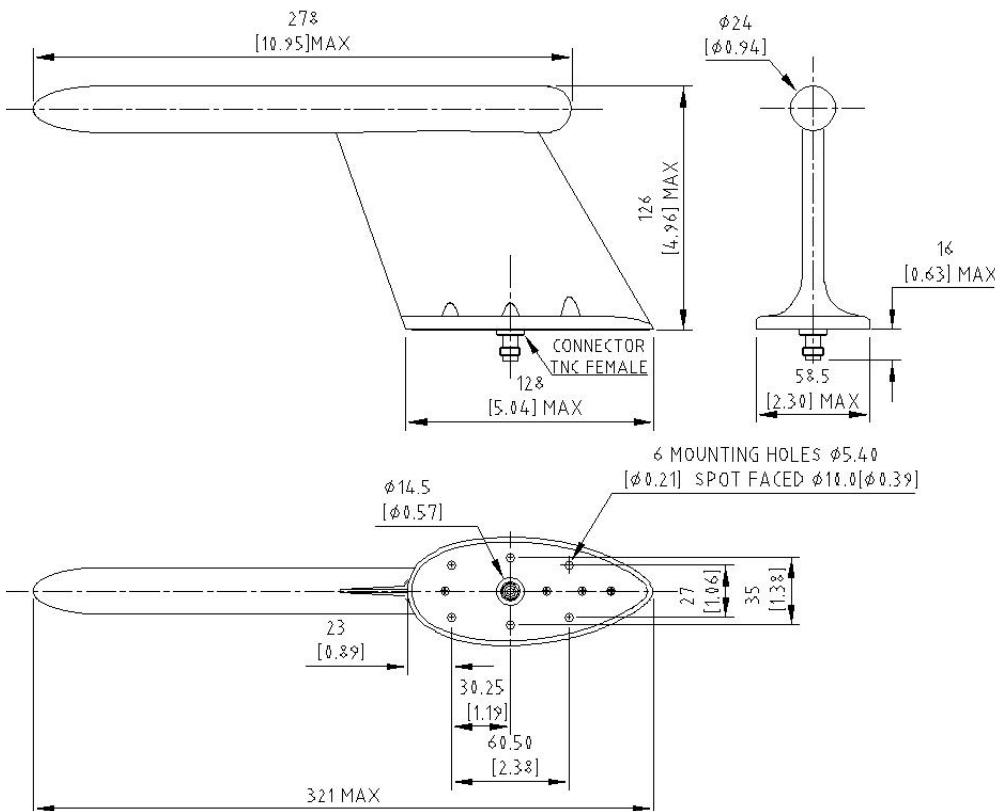
Weight	390 grams (Max)
Height	126 mm (Max)
Material	Glass Epoxy
Finish	Gloss
Connector	TNC Female

ENVIRONMENTAL

Temperature	-55°C to +90°C
Altitude	50,000 feet

*Contact us for your customized requirements

Tests in accordance with MIL 810 F



Dimensions are in mm
Inches shown in bracket

0413 Rev 00

*All data contained herein is subject to change without notice



VERDANT TELEMETRY & ANTENNA SYSTEMS Pvt. Ltd.
COCHIN – 682013, INDIA.
Tel: +91-484-2663104 Fax: +91-484-2663576
e-mail: sales@verdanttelemetry.com
Website : www.verdanttelemetry.com

